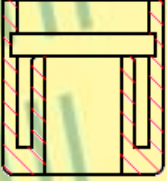
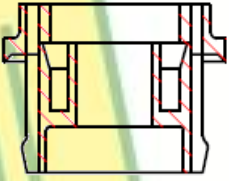
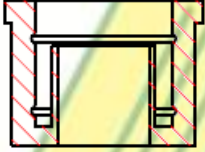



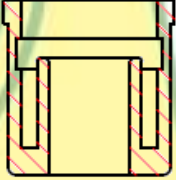
## Section: 6 – Spark plug boot components – Seals

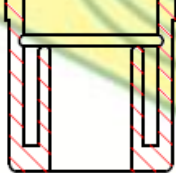
<b>SB52</b>	
<b>MATERIAL</b>	<b>1:1</b>
Black Silicone	

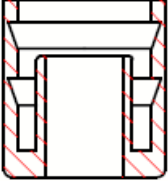
<b>SB53</b>	
<b>MATERIAL</b>	<b>1:1</b>
Black Silicone	

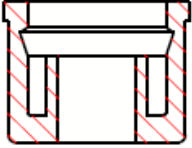
<b>SB122</b>	
<b>MATERIAL</b>	<b>1:1</b>
Black Silicone	

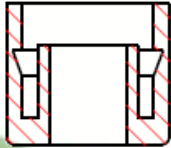
<b>SB124</b>	
<b>MATERIAL</b>	<b>1:1</b>
Black Silicone	

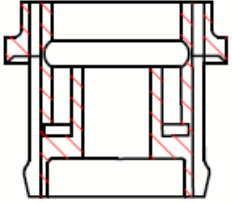
<b>SB125</b>	
<b>MATERIAL</b>	<b>1:1</b>
Black Silicone	

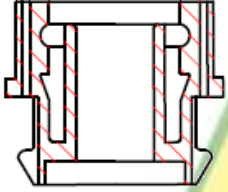
<b>SB126</b>	
<b>MATERIAL</b>	<b>1:1</b>
Black Silicone	

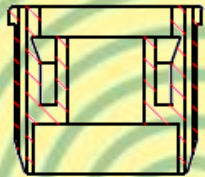
<b>SB127</b>	
<b>MATERIAL</b>	<b>1:1</b>
Black Silicone	

<b>SB128</b>	
<b>MATERIAL</b>	<b>1:1</b>
Black Silicone	

<b>SB129</b>	
<b>MATERIAL</b>	<b>1:1</b>
Black Silicone	

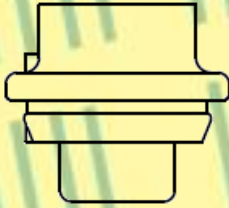
<b>SB130</b>	
<b>MATERIAL</b>	<b>1:1</b>
Black Silicone	

<b>SB131</b>	
<b>MATERIAL</b>	<b>1:1</b>
Black Silicone	

<b>SB132</b>	
<b>MATERIAL</b>	<b>1:1</b>
Black Silicone	

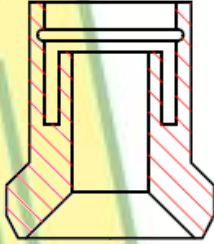
## Section: 6 – Spark plug boot components – Seals

**SB210**



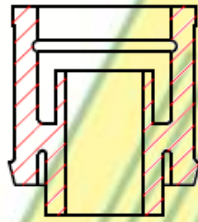
<b>MATERIAL</b>	<b>1:1</b>
Black Silicone	

**SB211**




<b>MATERIAL</b>	<b>1:1</b>
Black Silicone	

**SB212**



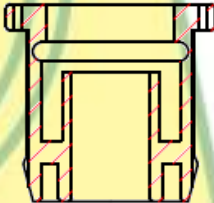
<b>MATERIAL</b>	<b>1:1</b>
Black Silicone	

**SB213**



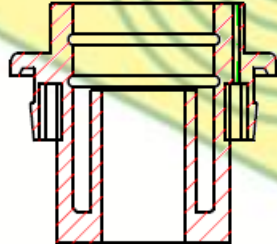
<b>MATERIAL</b>	<b>1:1</b>
Black Silicone	

**SB233**




<b>MATERIAL</b>	<b>1:1</b>
Black Silicone	

**SB236**



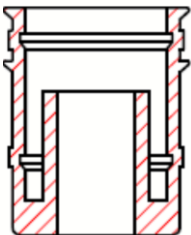
<b>MATERIAL</b>	<b>1:1</b>
Black Silicone	

**SB339/SE**



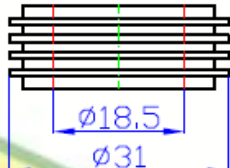
<b>MATERIAL</b>	<b>1:2</b>
Black Silicone	

**SB345**



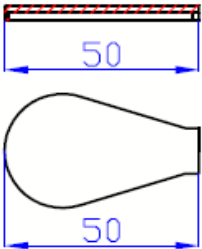
<b>MATERIAL</b>	<b>1:1</b>
Black Silicone	

**SB345/v.2/RING**



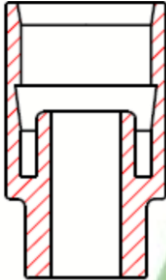
<b>MATERIAL</b>	<b>1:1</b>
Silicone	

**SB345/v.2/TC**




<b>MATERIAL</b>	<b>1:2</b>
Bakelite	

**SB348**



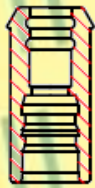
<b>MATERIAL</b>	<b>1:1</b>
Black Silicone	


**SB406**

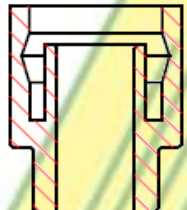



<b>MATERIAL</b>	<b>1:2</b>
Black Silicone	

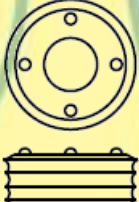
## Section: 6 – Spark plug boot components – Seals

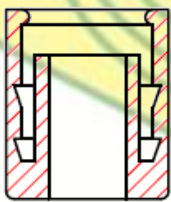
<b>SB408/SE</b>	
<b>MATERIAL</b>	<b>1:2</b>
Black Silicone	


<b>SB432/SE</b>	
<b>MATERIAL</b>	<b>1:2</b>
Black Silicone	

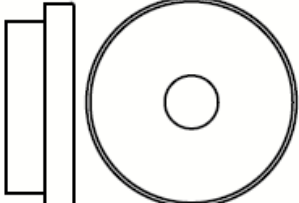
<b>SB447/SE</b>	
<b>MATERIAL</b>	<b>1:1</b>
Black Silicone	

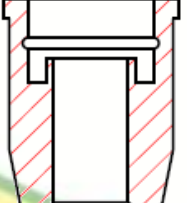
<b>SB449</b>	
<b>MATERIAL</b>	<b>1:1</b>
Black TPR	

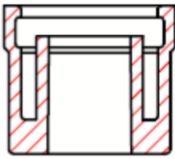
<b>SB462/R</b>	
<b>MATERIAL</b>	<b>1:2</b>
Black Silicone	

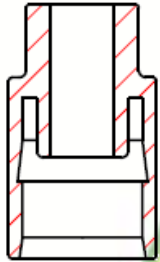
<b>SB481</b>	
<b>MATERIAL</b>	<b>1:1</b>
Black Silicone	

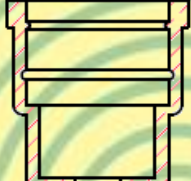
<b>SB481/R</b>	
<b>MATERIAL</b>	<b>1:1</b>
Black TPR	

<b>SB482/CS</b>	
<b>MATERIAL</b>	<b>1:2</b>
Black Silicone	


<b>SB530/SE</b>	
<b>MATERIAL</b>	<b>1:1</b>
Black TPR	

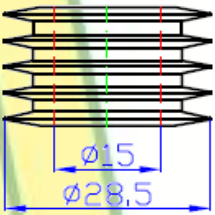
<b>SB552</b>	
<b>MATERIAL</b>	<b>1:1</b>
Black Silicone	

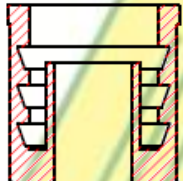
<b>SB560</b>	
<b>MATERIAL</b>	<b>1:1</b>
Black Silicone	


<b>SB615</b>	
<b>MATERIAL</b>	<b>1:1</b>
Black Silicone	

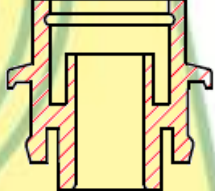
## Section: 6 – Spark plug boot components – Seals

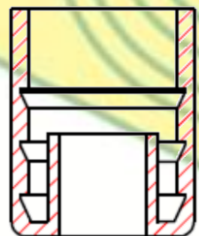
<b>SB641/4</b>	
<b>MATERIAL</b>	<b>1:1</b>
Black Silicone	

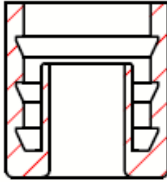
<b>SB641/5</b>	
<b>MATERIAL</b>	<b>1:1</b>
Black Silicone	

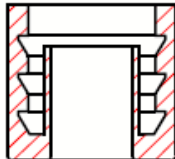
<b>SB647</b>	
<b>MATERIAL</b>	<b>1:1</b>
Black Silicone	

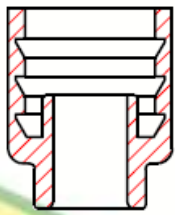
<b>SB648</b>	
<b>MATERIAL</b>	<b>1:1</b>
Black Silicone	

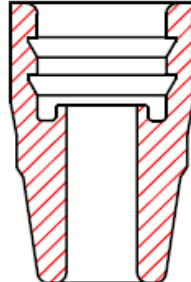
<b>SB665</b>	
<b>MATERIAL</b>	<b>1:1</b>
Black Silicone	

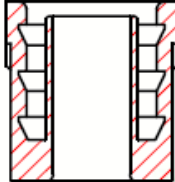
<b>SB680</b>	
<b>MATERIAL</b>	<b>1:1</b>
Black Silicone	

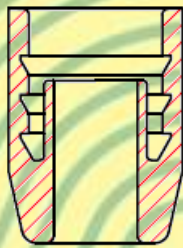
<b>SB743</b>	
<b>MATERIAL</b>	<b>1:1</b>
Black Silicone	

<b>SB769</b>	
<b>MATERIAL</b>	<b>1:1</b>
Black Silicone	

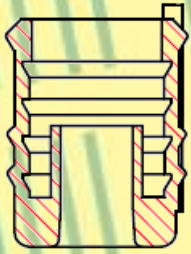
<b>SB774</b>	
<b>MATERIAL</b>	<b>1:1</b>
Black Silicone	

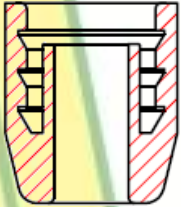
<b>SB775</b>	
<b>MATERIAL</b>	<b>1:1</b>
Black Silicone	

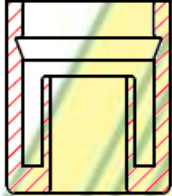
<b>SB776</b>	
<b>MATERIAL</b>	<b>1:1</b>
Black Silicone	

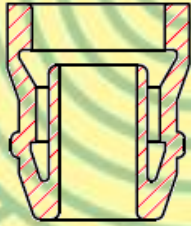
<b>SB777</b>	
<b>MATERIAL</b>	<b>1:1</b>
Black Silicone	

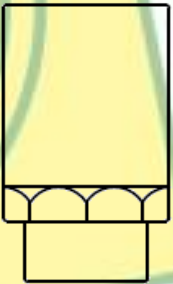
## Section: 6 – Spark plug boot components – Seals

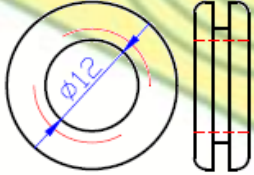
<b>SB778</b>	
<b>MATERIAL</b>	<b>1:1</b>
Black Silicone	

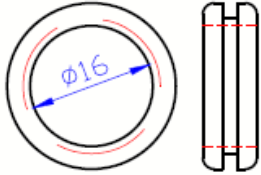
<b>SB779</b>	
<b>MATERIAL</b>	<b>1:1</b>
Black Silicone	

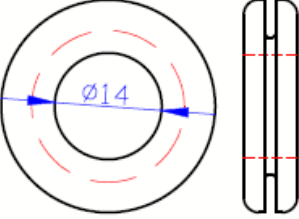
<b>SB780</b>	
<b>MATERIAL</b>	<b>1:1</b>
Black Silicone	

<b>SB781</b>	
<b>MATERIAL</b>	<b>1:1</b>
Black Silicone	

<b>SB798</b>	
<b>MATERIAL</b>	<b>1:1</b>
Black Silicone	

<b>R701</b>	
<b>MATERIAL</b>	<b>1:1</b>
Black PVC	

<b>R732</b>	
<b>MATERIAL</b>	<b>1:1</b>
Black TPR	

<b>R738</b>	
<b>MATERIAL</b>	<b>1:1</b>
Black Silicone	